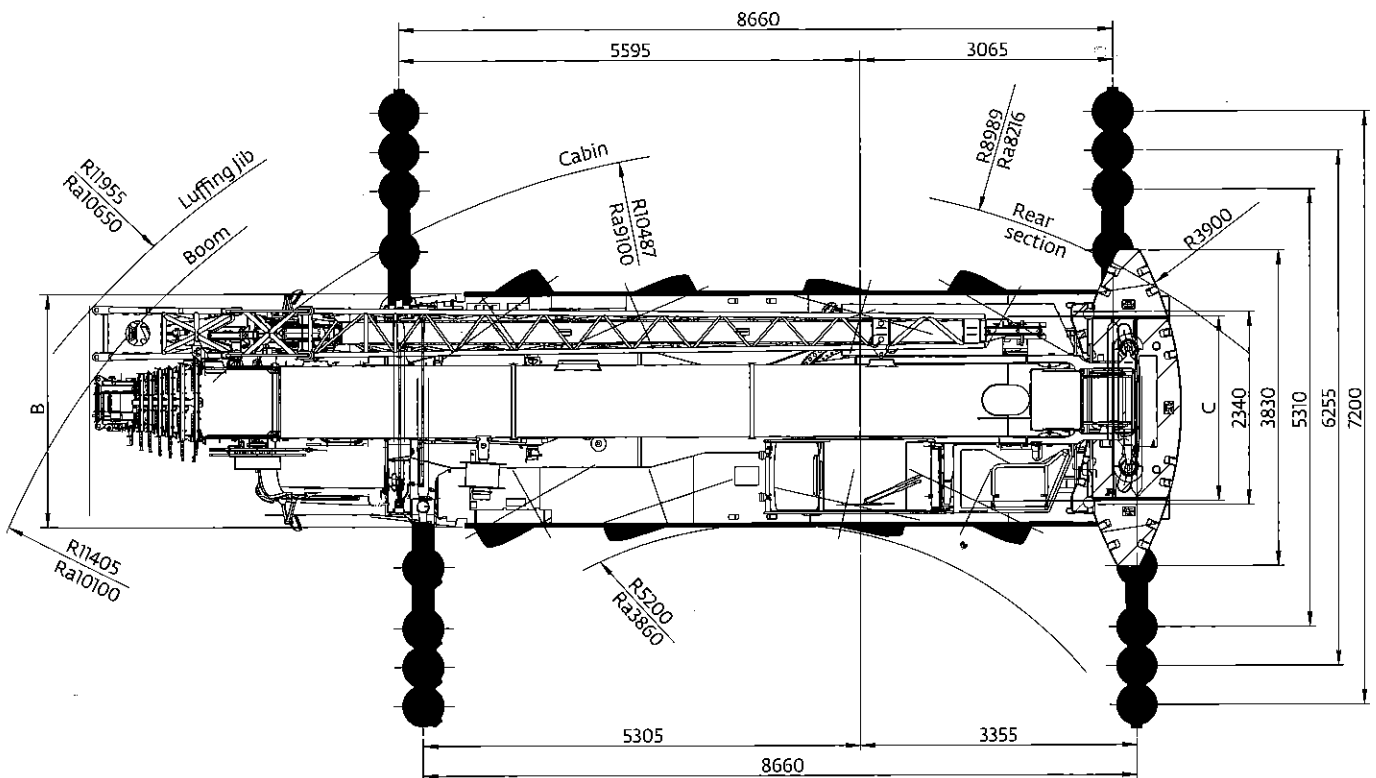
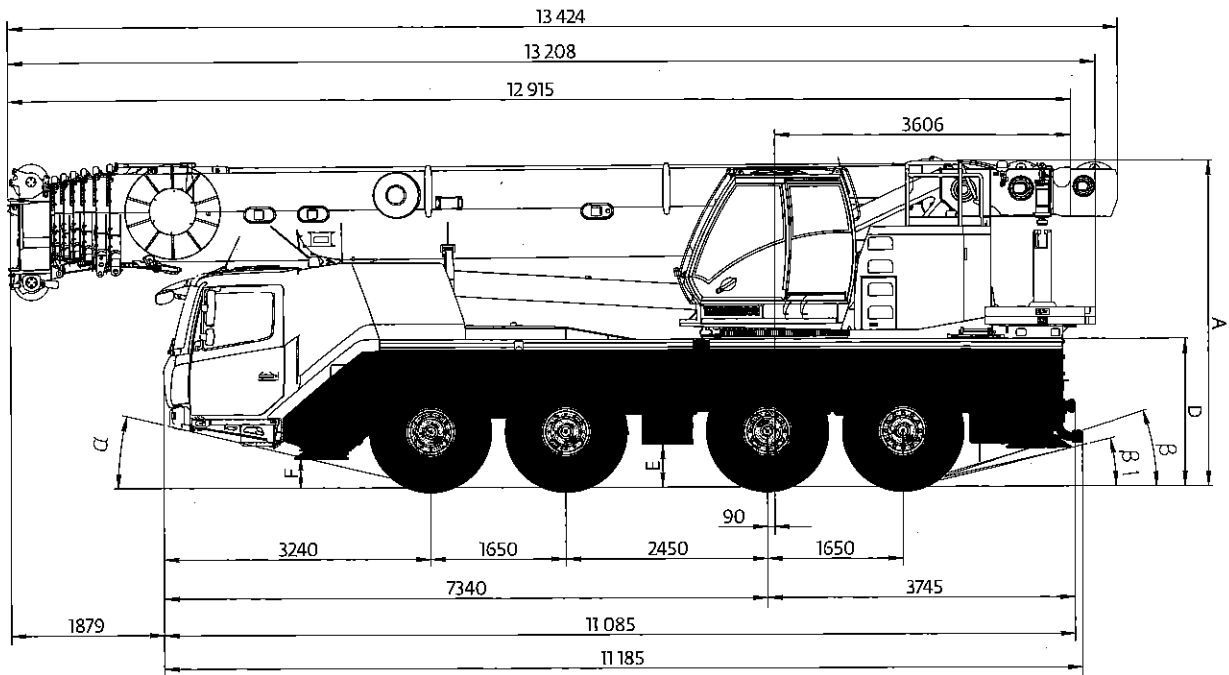


Dimensions • Abmessungen • Encombrement
Dimensiones • Dimensioni • Размеры



	A	A 126 mm*	B	C	D	E	F	α	β	β1
14.00 R25	3940	3810	2550	2320	1750	435	262	14	21	17
16.00 R25	3990	3860	2750	2280	1863	485	292	16	23	19
20.5 R25	3990	3860	2880	2320	1863	485	292	16	23	19

* lowered, abgeseinkt, surbaissée, abbassato, rebaja, сниженный

Working range • Arbeitsbereiche • Diagramme de levage Gama de trabajo • Area di lavoro • Грузовысотные характеристики

Telescopic boom • Teleskopausleger • Flèche principale • Pluma telescópica
Braccio telescopico • Телескопическая стрела



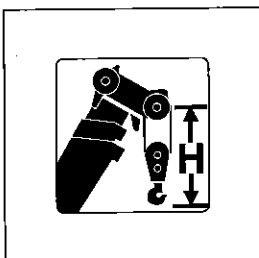
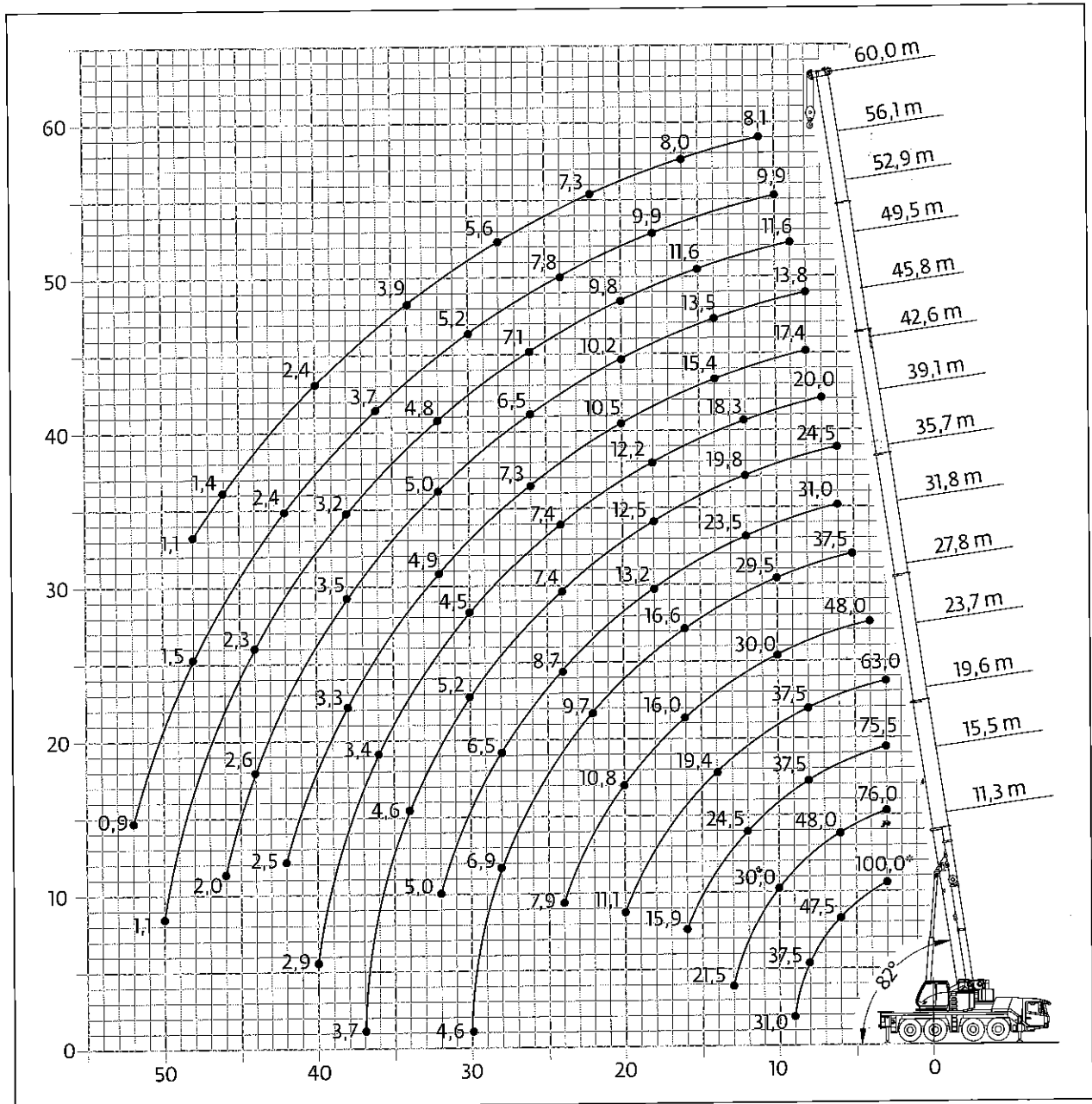
11,3 - 60,00 m



7,2 m



360°



Hook block • Hakenflasche • Crochet-moufle • Gancho • Ganci • Крюковой блок

	H (mm)
100 D	3100
80 E/D	3000
50 E/D	2900
22 E/D	2800
9 H/B	2350

Gru con 26.2 t contrappeso						
Base appoggio - lunghezza 8,660 m - larghezza 7,200 m						
Lunghezze fisse del braccio principale in m						
	52.66	52.87	55.90	56.12	58.03	60.01
Sez. teles I	0.50	0.92	0.50	0.92	0.92	1.00
Sez. teles II	0.92	0.92	1.00	0.92	0.92	1.00
Sez. teles III	0.92	0.92	1.00	0.92	0.92	1.00
Sez. teles IV	0.92	0.92	1.00	0.92	1.00	1.00
Sez. teles V	0.92	0.92	1.00	0.92	1.00	1.00
Sez. teles VI	0.92	0.50	1.00	0.92	1.00	1.00
Campo di rotazione	360°					
Sbraccio in m	Portate in t					
11.0	11.2	11.6	9.1	9.9		
12.0	11.2	11.6	9.1	9.9	8.6	8.1
13.0	11.2	11.6	9.1	9.9	8.6	8.1
14.0	11.2	11.6	9.1	9.9	8.6	8.1
15.0	11.1	11.6	9.0	9.9	8.6	8.1
16.0	10.8	11.5	8.9	9.9	8.6	8.0
18.0	10.0	10.6	8.6	9.9	8.5	7.9
20.0	9.2	9.8	7.8	9.3	8.3	7.7
22.0	8.5	8.8	7.1	8.7	8.0	7.3
24.0	7.7	7.6	6.4	7.8	7.5	6.6
26.0	7.1	6.6	5.9	6.8	6.8	6.1
28.0	6.3	5.8	5.3	5.9	6.0	5.6
30.0	5.5	4.9	4.9	5.2	5.3	5.1
32.0	4.8	4.2	4.5	4.5	4.6	4.5
34.0	4.2	3.6	4.2	3.9	3.9	3.9
36.0	3.6	3.1	3.7	3.3	3.4	3.3
38.0	3.1	2.6	3.2	2.8	2.9	2.9
40.0	2.7	2.2	2.8	2.4	2.5	2.4
42.0	2.3	1.8	2.4	2.0	2.1	2.1
44.0	2.0	1.4	2.0	1.7	1.8	1.7
46.0	1.7	1.1	1.7	1.4	1.5	1.4
48.0	1.4		1.5	1.1	1.2	1.1
50.0	1.1		1.2		0.9	
52.0			0.9			
Codice RCL	2200					
Velocità del vento ammessa per l'esercizio	12 m/s		10 m/s			
	7 m/s	8 m/s	7 m/s			

Gru con 26.2 t contrappeso								
Base appoggio - lunghezza 8,660 m - larghezza 7,200 m								
Lunghezze fisse del braccio principale in m								
	43.50	45.71	45.86	46.09	47.64	48.55	49.53	51.79
Sez. teles I	0.00	0.50	0.92	0.92	0.00	0.00	0.92	0.00
Sez. teles II	0.00	0.50	0.92	0.92	0.50	0.92	0.92	1.00
Sez. teles III	1.00	0.50	0.50	0.92	1.00	0.92	0.92	1.00
Sez. teles IV	1.00	0.92	0.50	0.50	1.00	0.92	0.92	1.00
Sez. teles V	1.00	0.92	0.50	0.50	1.00	0.92	0.50	1.00
Sez. teles VI	1.00	0.92	0.92	0.50	1.00	0.92	0.50	1.00
Campo di rotazione	360°							
Sbraccio in m	Portate in t							
9.0	11.8	14.8	17.4	17.0				
10.0	11.7	14.5	17.4	17.0	11.3	12.8	13.8	10.3
11.0	11.4	13.9	17.3	16.9	11.2	12.7	13.8	10.2
12.0	11.0	13.3	16.8	16.4	11.0	12.5	13.8	10.1
13.0	10.3	12.6	16.2	15.7	10.7	12.2	13.8	10.0
14.0	9.7	12.1	15.4	15.0	10.1	11.6	13.5	9.9
15.0	9.2	11.5	14.7	14.3	9.6	11.2	12.9	9.7
16.0	8.6	11.0	14.0	13.5	9.1	10.7	12.4	9.2
18.0	7.7	10.1	12.3	12.0	8.2	9.7	11.3	8.3
20.0	6.8	9.3	10.5	10.1	7.4	8.8	10.2	7.5
22.0	6.2	8.6	9.0	8.7	6.7	7.9	8.7	6.8
24.0	5.6	7.9	7.7	7.4	6.0	7.1	7.5	6.0
26.0	5.1	7.3	6.6	6.3	5.6	6.5	6.5	5.5
28.0	4.6	6.4	5.6	5.3	5.1	5.9	5.5	4.9
30.0	4.3	5.6	4.8	4.5	4.7	5.5	4.7	4.5
32.0	3.9	4.9	4.1	3.8	4.4	5.0	4.0	4.1
34.0	3.6	4.3	3.5	3.2	4.1	4.4	3.4	3.8
36.0	3.4	3.7	2.9	2.7	3.8	3.9	2.9	3.5
38.0	3.1	3.3	2.5	2.2	3.5	3.4	2.4	3.2
40.0	2.9	2.9	2.1	1.8	3.3	3.0	2.0	2.9
41.3	1.6							
42.0		2.5	1.7	1.4	2.9	2.6	1.6	2.6
44.0					2.6	2.3	1.2	2.3
45.4					0.9			
46.0						2.0	0.9	2.0
48.0								1.7
Codice RCL	2200							
Velocità del vento ammessa	12 m/s							
per l'esercizio	9 m/s	8 m/s						

	Gru con 26.2 t contrappeso									
	Base appoggio - lunghezza 8,660 m - larghezza 7,200 m									
	Lunghezze fisse del braccio principale in m									
	31.57	31.81	33.31	34.81	35.22	35.68	37.45	39.13	40.93	42.61
Sez. teles I	0.00	0.50	0.00	0.00	0.00	0.50	0.00	0.92	0.00	0.92
Sez. teles II	0.50	0.50	0.00	0.50	0.00	0.50	0.00	0.50	0.00	0.92
Sez. teles III	0.50	0.50	0.00	0.50	0.00	0.50	0.50	0.50	0.92	0.50
Sez. teles IV	0.50	0.50	0.92	0.50	1.00	0.50	0.92	0.50	0.92	0.50
Sez. teles V	0.50	0.50	0.92	0.50	1.00	0.50	0.92	0.50	0.92	0.50
Sez. teles VI	0.50	0.00	0.92	0.92	1.00	0.50	0.92	0.50	0.92	0.50
Campo di rotazione	360°									
Sbraccio in m	Portate in t									
5.0	33.5	37.5								
6.0	32.0	37.5	18.3	23.5	15.0	31.0				
7.0	30.0	36.0	16.8	22.0	14.6	31.0	17.0	24.5		
8.0	27.5	33.5	15.5	20.5	13.6	30.0	16.0	24.5	15.1	20.0
9.0	26.0	31.5	14.3	19.2	12.6	28.5	14.9	24.0	14.9	20.0
10.0	24.0	29.5	13.2	18.1	11.6	27.0	13.9	22.5	14.0	20.0
11.0	22.5	26.5	12.3	17.2	10.8	25.5	13.1	21.5	13.3	19.3
12.0	21.0	23.5	11.4	16.2	10.1	23.5	12.3	19.8	12.5	18.3
13.0	19.7	21.0	10.7	15.4	9.4	21.0	11.6	18.6	11.7	17.3
14.0	18.5	18.9	10.0	14.7	8.8	19.0	10.9	17.5	11.0	16.3
15.0	17.6	17.1	9.4	13.9	8.3	17.3	10.3	16.4	10.4	15.4
16.0	16.8	15.5	8.9	13.3	7.8	15.8	9.7	14.9	9.8	14.5
18.0	13.7	12.6	7.9	12.2	6.9	13.2	8.7	12.5	8.7	12.2
20.0	11.5	10.4	7.0	11.2	6.2	11.0	7.9	10.6	7.9	10.3
22.0	9.7	8.6	6.4	10.1	5.6	9.2	7.2	8.8	7.1	8.8
24.0	8.3	7.2	5.8	8.7	5.1	7.8	6.5	7.4	6.4	7.4
26.0	7.1	6.1	5.4	7.5	4.7	6.6	6.0	6.3	5.8	6.2
28.0	6.2	5.1	4.9	6.5	4.3	5.7	5.6	5.3	5.3	5.3
29.4	3.0									
29.6		2.0								
30.0			4.6	5.7	4.0	4.9	5.2	4.5	4.9	4.5
31.1			3.5							
32.0				5.0	3.7	4.2	4.8	3.8	4.5	3.8
32.6				2.6						
33.0					3.2					
33.5						1.6				
34.0							4.6	3.2	4.2	3.1
35.3							2.6			
36.0								2.7	3.9	2.6
38.0									3.7	2.2
38.7									1.9	
40.0										1.7
Codice RCL	2200									
Velocità del vento ammessa per l'esercizio	14 m/s									12 m/s
	11 m/s	10 m/s	12 m/s	10 m/s	12 m/s	10 m/s	9 m/s			

Gru con 26.2 t contrappeso								
Base appoggio - lunghezza 8,660 m - larghezza 7,200 m								
Lunghezze fisse del braccio principale in m								
	25.77	26.53	27.03	27.70	27.84	29.87	30.67	31.12
Sez. teles I	0.00	0.00	0.00	0.00	0.50	0.00	0.00	0.00
Sez. teles II	0.00	0.00	0.00	0.50	0.50	0.00	0.00	0.00
Sez. teles III	0.00	0.00	0.00	0.50	0.50	0.00	0.50	0.00
Sez. teles IV	0.00	0.50	0.00	0.50	0.50	0.50	0.50	0.50
Sez. teles V	0.92	0.50	1.00	0.50	0.00	0.92	0.50	1.00
Sez. teles VI	0.92	0.92	1.00	0.00	0.00	0.92	0.92	1.00
Campo di rotazione	360°							
Sbraccio in m	Portate in t							
4.0	21.5	26.0						
5.0	19.1	23.5	15.0	41.5	48.0	20.0	24.5	15.0
6.0	17.2	21.5	15.0	38.0	45.5	18.2	22.5	15.0
7.0	15.6	19.6	14.8	34.5	42.0	16.7	21.0	15.0
8.0	14.2	18.1	13.4	32.0	38.0	15.4	19.5	14.4
9.0	13.0	16.8	12.4	29.5	33.5	14.3	18.2	13.3
10.0	12.0	15.6	11.5	27.0	30.0	13.2	17.0	12.4
11.0	11.2	14.6	10.7	25.0	26.5	12.3	16.0	11.7
12.0	10.4	13.6	9.9	23.0	23.5	11.6	15.1	10.9
13.0	9.7	12.8	9.3	21.5	21.0	10.9	14.3	10.3
14.0	9.2	12.1	8.7	20.0	18.8	10.3	13.4	9.7
15.0	8.6	11.5	8.2	17.9	16.7	9.7	12.8	9.2
16.0	8.2	10.9	7.7	16.0	14.9	9.2	12.2	8.7
18.0	7.3	9.9	6.8	13.0	12.0	8.3	11.1	7.9
20.0	6.5	9.1	6.2	10.8	9.7	7.6	10.2	7.0
22.0	6.0	8.4	5.7	9.1	8.0	6.9	9.5	6.5
23.6	5.6							
24.0		7.9	5.2	7.7	6.7	6.3	8.8	6.0
24.3		5.3						
24.8			5.1					
25.5				3.6				
25.6					2.7			
26.0						6.0	7.8	5.6
27.7						4.4		
28.0							6.9	5.2
28.5							3.9	
28.9								4.2
Codice RCL	2200							
Velocità del vento ammessa per l'esercizio	14 m/s							
	14 m/s	13 m/s	14 m/s	10 m/s	9 m/s	13 m/s	11 m/s	13 m/s

Gru con 26.2 t contrappeso										
Base appoggio - lunghezza 8,660 m - larghezza 7,200 m										
Lunghezze fisse del braccio principale in m										
	22.43	22.76	23.02	23.08	23.10	23.05	23.28	23.56	23.73	23.74
Sez. teles I	0.00	0.00	0.00	0.50	0.00	0.00	0.00	0.00	0.00	0.50
Sez. teles II	0.00	0.00	0.00	0.92	0.50	0.00	0.00	0.00	0.50	0.50
Sez. teles III	0.00	0.00	0.50	0.00	0.92	0.00	0.00	0.50	0.50	0.50
Sez. teles IV	0.00	0.50	0.92	0.00	0.00	0.00	0.50	0.50	0.50	0.00
Sez. teles V	0.50	0.92	0.00	0.00	0.00	0.50	0.50	0.50	0.00	0.00
Sez. teles VI	0.92	0.00	0.00	0.00	0.00	1.00	0.50	0.00	0.00	0.00
Campo di rotazione	360°									
Sbraccio in m	Portate in t									
4.0	24.5	30.0	37.5	55.5	45.5	16.0	35.0	44.0	54.0	62.5
5.0	22.0	26.5	33.0	49.5	40.5	16.0	31.5	39.0	48.0	54.5
6.0	19.6	24.0	29.5	44.5	36.0	16.0	28.5	35.0	43.0	47.5
7.0	17.8	21.5	26.5	40.0	32.5	16.0	25.5	31.5	39.0	42.0
8.0	16.3	19.6	24.0	36.5	29.5	15.8	23.5	28.5	35.5	37.5
9.0	15.0	18.0	22.0	33.0	27.0	14.6	21.5	26.0	32.5	33.0
10.0	13.8	16.6	20.5	29.0	25.0	13.4	19.8	24.0	29.5	29.5
11.0	12.8	15.4	18.8	26.0	23.0	12.5	18.4	22.5	27.0	26.0
12.0	12.0	14.4	17.5	23.0	21.5	11.6	17.1	21.0	24.5	23.5
13.0	11.2	13.4	16.3	20.5	19.8	10.9	16.0	19.4	22.0	21.0
14.0	10.6	12.5	15.3	17.8	18.6	10.3	15.1	18.2	19.4	18.2
15.0	10.0	11.8	14.4	15.7	16.8	9.7	14.1	17.2	17.2	16.0
16.0	9.5	11.2	13.5	13.8	15.0	9.2	13.3	16.2	15.3	14.2
18.0	8.6	10.1	12.1	11.0	12.0	8.3	12.0	13.3	12.4	11.3
20.0	7.9	9.2	10.8	8.8	9.8	7.6	11.0	11.1	10.2	9.1
20.2	6.9									
20.6		6.3								
20.8			5.5							
20.9				3.8	4.6	6.7				
21.1							6.2			
21.4								5.5		
21.5									4.6	3.8
Codice RCL	2200									
Velocità del vento ammessa per l'esercizio	14 m/s									
	14 m/s	12 m/s	9 m/s	11 m/s	14 m/s	13 m/s	11 m/s	9 m/s		

Gru con 26.2 t contrappeso								
Base appoggio - lunghezza 8,660 m - larghezza 7,200 m								
Lunghezze fisse del braccio principale in m								
	18.46	18.91	19.07	19.19	19.42	19.58	19.60	19.63
Sez. teles I	0.00	0.92	0.00	0.00	0.00	0.00	0.50	0.00
Sez. teles II	0.00	0.00	0.00	0.00	0.00	0.00	0.50	0.50
Sez. teles III	0.00	0.00	0.00	0.00	0.00	0.50	0.00	0.50
Sez. teles IV	0.00	0.00	0.00	0.00	0.50	0.50	0.00	0.00
Sez. teles V	0.00	0.00	0.00	0.50	0.50	0.00	0.00	0.00
Sez. teles VI	0.92	0.00	1.00	0.50	0.00	0.00	0.00	0.00
Campo di rotazione	360°							
Sbraccio in m	Portate in t							
3.0	27.0	74.0	16.0	36.5	46.5	56.5	75.5	72.5
4.0	23.5	63.0	16.0	32.5	42.0	52.0	63.5	63.5
5.0	21.0	54.0	16.0	29.0	37.0	45.5	54.5	55.0
6.0	18.8	47.0	16.0	25.5	33.0	41.0	47.5	48.0
7.0	17.1	41.0	16.0	23.5	30.0	37.0	41.5	42.5
8.0	15.7	36.5	14.8	21.0	27.5	33.5	37.0	37.5
9.0	14.5	32.5	13.6	19.4	25.0	30.5	32.5	33.5
10.0	13.4	28.5	12.6	18.0	23.0	28.5	29.0	29.5
11.0	12.5	25.0	11.8	16.7	21.5	26.0	26.0	26.5
12.0	11.8	22.0	11.0	15.6	20.0	24.5	23.0	24.0
13.0	11.1	19.6	10.4	14.7	18.8	22.0	20.5	21.5
14.0	10.5	17.0	9.8	13.7	17.7	19.6	17.7	18.6
15.0	10.0	14.8	9.3	13.0	16.7	17.3	15.5	16.4
16.0	9.6	13.0	8.9	12.4	15.9	15.5	13.7	14.6
16.3	8.8							
16.7		5.6						
16.9			8.4					
17.0				8.4				
17.2					7.8			
17.4						7.1	5.7	6.4
Codice RCL	2200							
Velocità del vento ammessa per l'esercizio	14 m/s							
	14 m/s	10 m/s	14 m/s	12 m/s	10 m/s	9 m/s		

I carichi massimi > 70.0 t possono essere sollevati solo con attrezzature supplementari.

		Gru con 26.2 t contrappeso						
		Base appoggio - lunghezza 8,660 m - larghezza 7,200 m						
		Lunghezze fisse del braccio principale in m						
		11.34	15.21	15.32	15.44	15.45	15.48	15.49
Sez. teles I		0.00	0.00	0.00	0.00	0.50	0.00	0.00
Sez. teles II		0.00	0.00	0.00	0.00	0.00	0.00	0.50
Sez. teles III		0.00	0.00	0.00	0.00	0.00	0.50	0.00
Sez. teles IV		0.00	0.00	0.00	0.50	0.00	0.00	0.00
Sez. teles V		0.00	0.00	0.50	0.00	0.00	0.00	0.00
Sez. teles VI		0.00	0.50	0.00	0.00	0.00	0.00	0.00
Campo di rotazione		360°						
Sbraccio in m		Portate in t						
2.5	84.0							
3.0	76.0	34.0	46.5	56.5	75.5	76.0	76.0	
4.0	64.0	30.0	46.5	56.5	63.5	64.0	63.5	
5.0	55.0	27.0	41.5	54.0	54.0	55.0	54.5	
6.0	47.5	24.5	37.0	48.0	47.0	48.0	47.5	
7.0	42.0	22.5	33.0	43.0	41.5	42.5	42.0	
8.0	37.5	21.0	30.0	38.0	37.0	38.0	37.5	
9.0	31.0	19.6	27.5	34.0	32.5	33.5	33.0	
9.1	15.9							
10.0		18.5	25.5	30.0	28.5	29.5	29.0	
11.0		17.5	23.5	27.0	25.5	26.5	26.0	
12.0		16.7	22.0	24.0	22.5	24.0	23.0	
13.0		11.2	19.7	21.5	20.0	21.0	20.5	
13.1			10.8					
13.2				10.4	9.1			
13.3						10.0	9.5	
Codice RCL	2200							
Velocità del vento ammessa per l'esercizio	14 m/s							
	11 m/s	14 m/s	10 m/s	9 m/s	10 m/s			

I carichi massimi > 70.0 t possono essere sollevati solo con attrezzature supplementari.